

INSTALLATION INSTRUCTIONS

DESCRIPTION: Snowplow Mount
 PART NUMBER: BAR-F84Y0-V0
 MODEL: '20~ Wolverine X2/X4



⚠ WARNING

Please read and understand these instructions completely before installation to avoid possible injury, or damage to the accessory or vehicle.

WARRANTY INFORMATION:

In the United States, see your Yamaha dealer for a copy of the Yamaha Genuine Parts and Accessories Limited Warranty.

NOTICE:

Installation of this kit requires a torque wrench and should be performed by an authorized Yamaha dealer or a qualified mechanic.

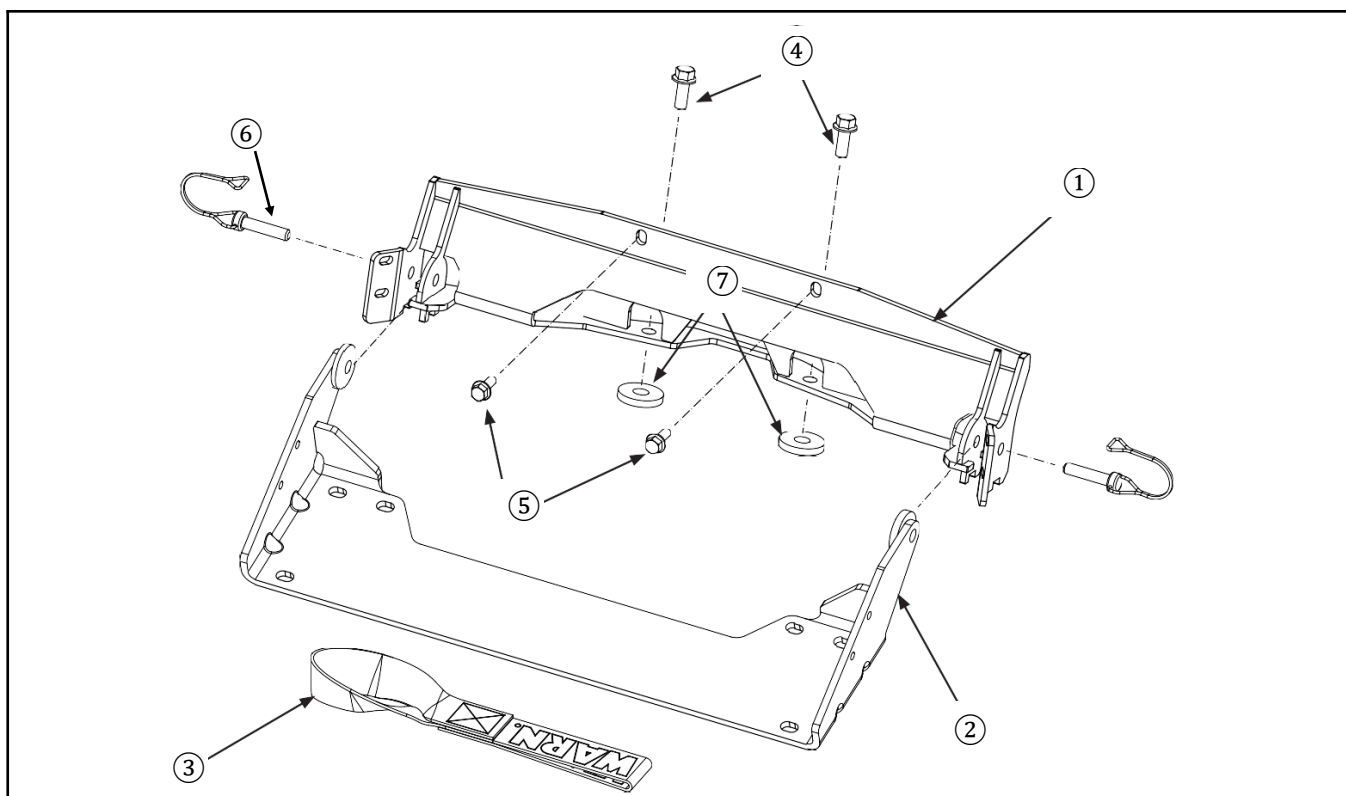
DEALER OR INSTALLER:

These instructions contain important information for future reference and must be given to the customer.

PARTS LIST:

* Part supplied with kit only and not available separately

No.	Part Number	Description	Qty
-	BAR-F84Y0-V0	Snow Plow Mount Kit	1
1	-	PLOW MOUNT	1
2	-	BLADE MOUNT	1
3	-	TERMINATION STRAP	1
4	95812-10025	M10 FLANGE BOLT	2
5	90105-08142	M8 FLANGE BOLT	2
6	-	RETAINER PIN	2
7	90201-143L7	SPACER	2



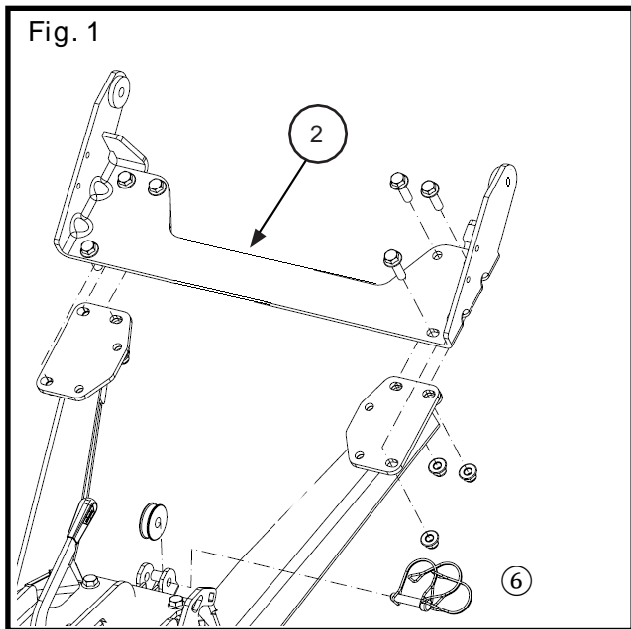


Fig. 1

PREPARATION:

- Place the vehicle on a secure and level surface.
- Set the parking brake.
- Clean mount surfaces before installation.

INSTALLATION:

1. Install plow mount flange (2) as shown using six M10 bolts and locknuts, supplied with SXS plow push tube kit. **Torque to 50 N-m (37 ft-lb or 5.0 m-kg).** (Fig. 1.)
2. Remove front skid plate, front grab bar and winch if installed. Retain all OE hardware for reinstallation. (Fig. 2)
3. Install plow mount (1) to vehicle frame using the two M8 (4) and M10 (5) bolts with spacers (7). The spacers go between the frame and plow mount (1). **Torque the M10 to 50 N-m (37 ft-lb or 5.0 m-kg) and M8 to 25 N-m (18 ft-lb or 2.5 m-kg).** (Fig. 3).
4. Reinstall the winch OE hardware 18 Nm (1.8 m-kg or 13.2 ft-lb), skid plate OE hardware to 8Nm (0.8 m-kg or 5.9 ft-lb) and front grab bar OE hardware to 58 Nm (5.9 m-kg or 42.7 ft-lb). (Fig. 4)
5. Connect the termination strap (3) to the front center of the bumper by first hanging the strap over the bumper. (Fig.5)
6. Insert one looped end of the strap (3) through the other looped end of the strap and pull end down to tighten strap securely to bumper. (Fig. 5).
7. Connect the plow using the retaining pins (6) (Fig. 1).
8. Attach winch rope hook to the loop on the termination strap (3). (Fig 6)

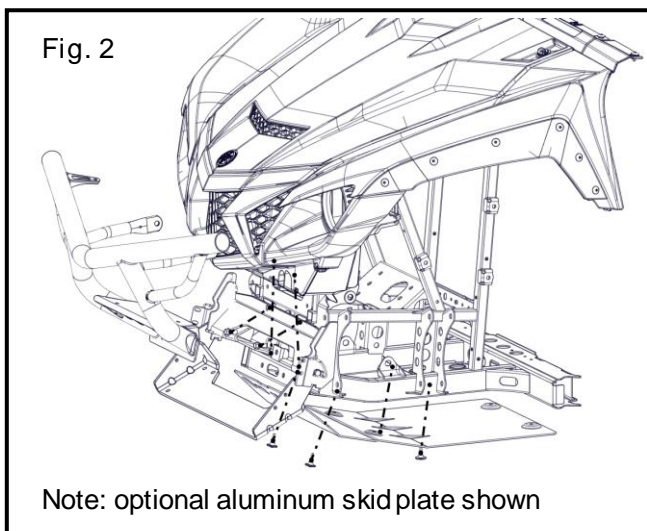


Fig. 2

MAINTENANCE:

Periodically, check torque on all hardware. If loose hardware is found, re-torque to specification.

CARE AND CLEANING:

Clean painted metal parts with a clean soft cloth and mild soap and water solution. Rinse and dry.

CUSTOMER SERVICE:

For further information see your Yamaha dealer.

COMPATIBILITY: This snowplow mount is compatible with only the VRX and AXON series of winches.

- Used with SXS Plow Push Tube Kit.
Warn part number 79805

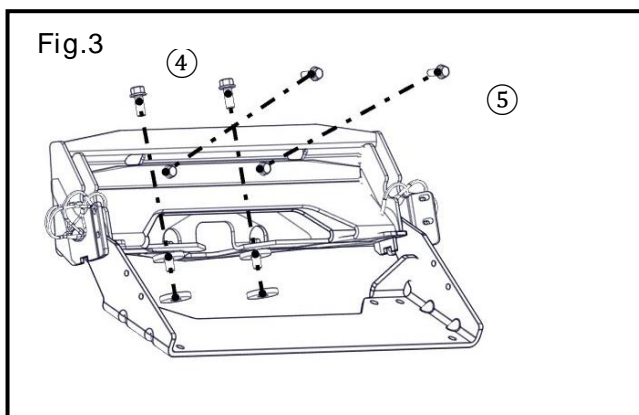


Fig.3

ESTIMATED TIME TO INSTALL: 2.0 HRS.

Fig 4

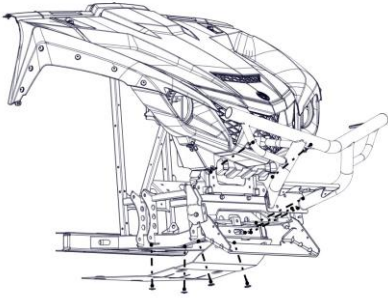


Fig 5



Fig 6

